

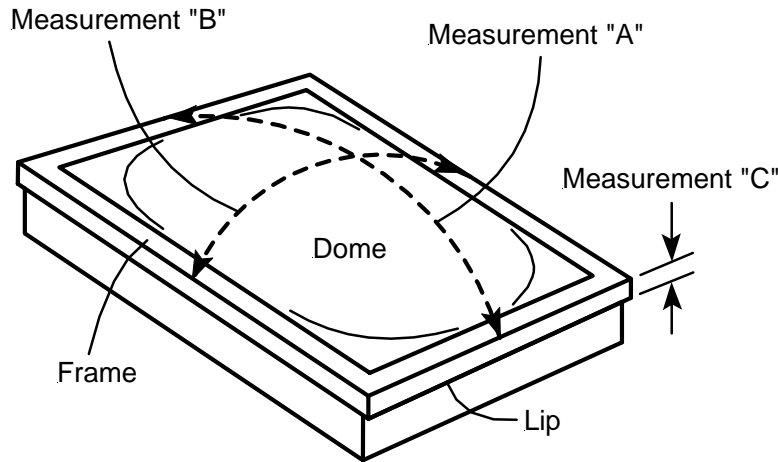


6135 Northdale  
Houston, TX 77087  
Ph: 713.644.1588  
www.marcoplasticsLLC.com

## HEATBLOCKER SKYLIGHT SCREEN

### Skylight Measuring Worksheet

Measure in inches over center of dome between top outside edge of skylight metal frame for both length and width. Multiply length (A) by width (B) and divide result by 144 for conversion to sq. ft. to determine price. Also, measure the vertical dimension of overhanging metal lip (C). Custom orders should be placed using *inches* for length, width and lip.



#### Skylight #1

Measurement "A" = \_\_\_\_\_ in.  
Measurement "B" = \_\_\_\_\_ in.  
Measurement "C" = \_\_\_\_\_ in.  
Quantity: \_\_\_\_\_ **Block:** 80% 90%  
**Color:** brown gray **Lens:** dome flat

#### Skylight #2

Measurement "A" = \_\_\_\_\_ in.  
Measurement "B" = \_\_\_\_\_ in.  
Measurement "C" = \_\_\_\_\_ in.  
Quantity: \_\_\_\_\_ **Block:** 80% 90%  
**Color:** brown gray **Lens:** dome flat

#### Skylight #3

Measurement "A" = \_\_\_\_\_ in.  
Measurement "B" = \_\_\_\_\_ in.  
Measurement "C" = \_\_\_\_\_ in.  
Quantity: \_\_\_\_\_ **Block:** 80% 90%  
**Color:** brown gray **Lens:** dome flat

#### Skylight #4

Measurement "A" = \_\_\_\_\_ in.  
Measurement "B" = \_\_\_\_\_ in.  
Measurement "C" = \_\_\_\_\_ in.  
Quantity: \_\_\_\_\_ **Block:** 80% 90%  
**Color:** brown gray **Lens:** dome flat

Company Name: \_\_\_\_\_ Authorized Buyer: \_\_\_\_\_  
Phone Number: \_\_\_\_\_ Date: \_\_\_\_\_

Please fax this order sheet to 713.644.8847 or email it to sales@marcoplasticsLLC.com